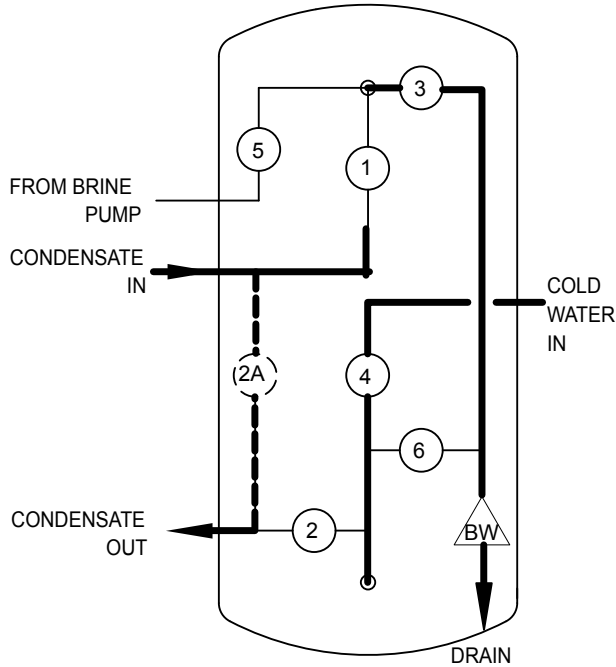


# FLOW DIAGRAM, MR/MHC SERIES WATER SOFTENERS

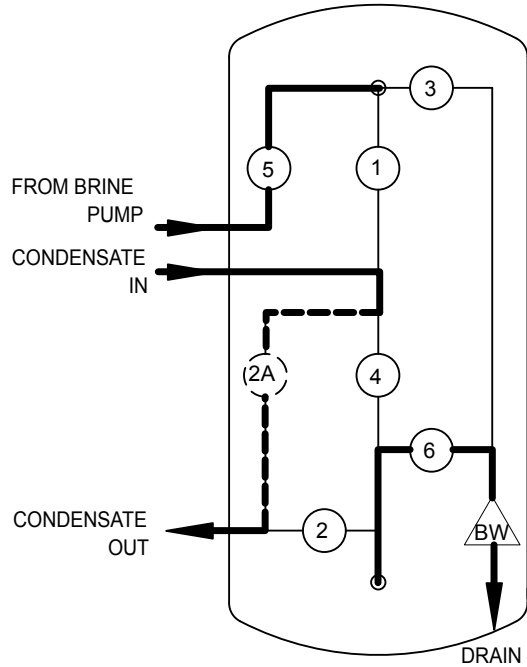
## BACKWASH CYCLE #1

VALVES OPEN: 2A,3,4  
VALVES CLOSED: 1,2,5,6



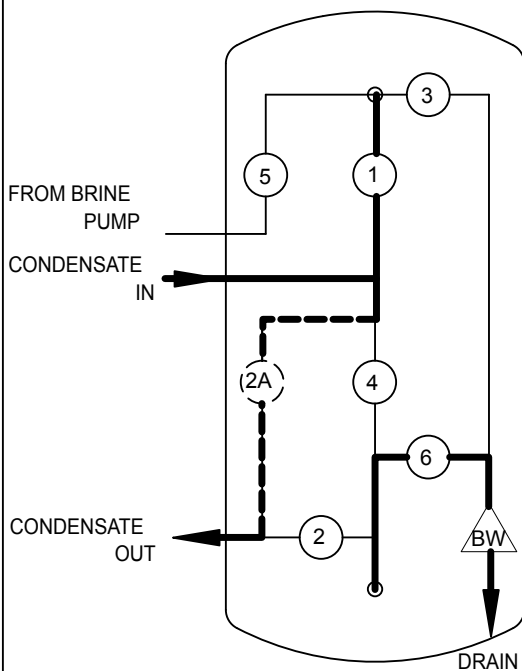
## BRINE/RINSE CYCLE #2

VALVES OPEN: 2A,5,6  
VALVES CLOSED: 1,2,3,4



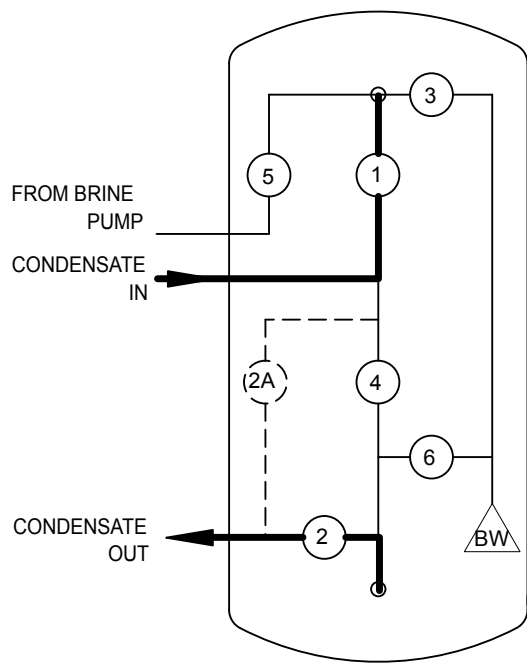
## FAST FLUSH CYCLE #3

VALVES OPEN: 1,2A,6  
VALVES CLOSED: 2,3,4,5



## SERVICE CYCLE #4

VALVES OPEN: 1,2  
VALVES CLOSED: 2A,3,4,5,6



NOTES: 1. BY-PASS VALVE #2A INCLUDED ON SINGLE UNITS ONLY.  
2. BW-AUTOMATIC BACKWASH FLOW CONTROL  
3. VALVE #'S ARE SAME AS STAGER PORT #'S